

# M

## 92-102-202

### DATI IDRAULICI POZZO Ø 2"

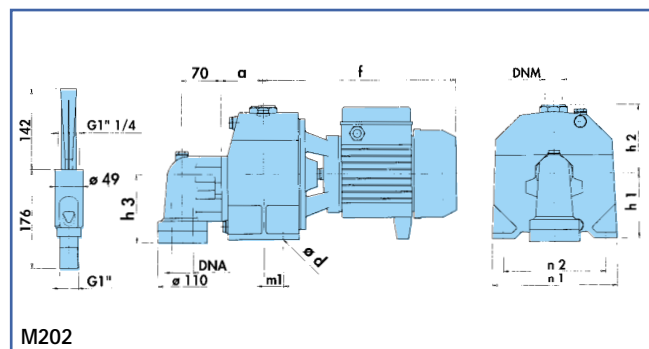
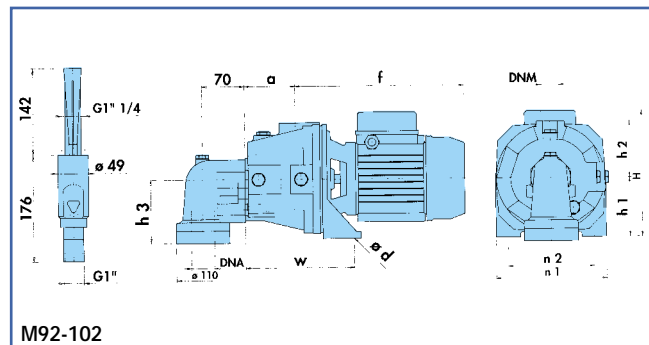
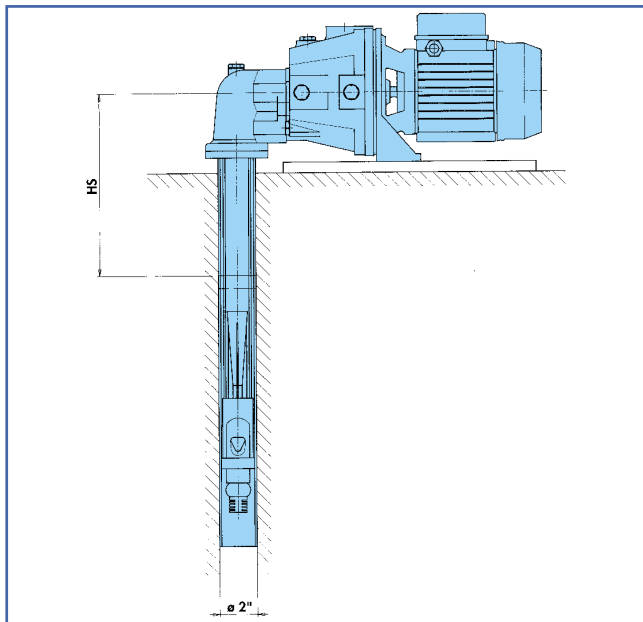
HYDRAULIC DATA 2" / DATOS HIDRAULICOS POZO 2" / DONNEES HYDRAULIQUES PUIT 2" / HYDRAULISCHE ANGABEN BRUNNEN 2"

| Tipo<br>Type<br>Typ | Tipo eiettore<br>Ejector type<br>Tipo eyector<br>Type ejecteur<br>Ejektortyp | Potenza/Power<br>Potencia/Puissance<br>Leistung |      | Profondità di aspirazione<br>Suction depth<br>Profundidad de aspiracion<br>Profondite d'aspiration<br>Saugtiefe (m) | Prevalenza manometrica totale in m. / Total manometric head in m. / Altura manometrica total en m. / Hauteur manométrique totale en m. / Manometrische Gesamte Meterförderhöhe |      |      |      |      |     |     |     |    |      |      |      |      |      |      |      |      |      |      |     |     |    |  |  |  |
|---------------------|--|---|------|---|--|------|------|------|------|-----|-----|-----|----|------|------|------|------|------|------|------|------|------|------|-----|-----|----|--|--|--|
|                     |  | kW  | HP   |   | 25   | 28   | 30   | 32   | 35   | 37  | 40  | 42  | 50 | 53   | 56   | 59   | 62   | 65   | 68   | 71   | 74   | 77   | 80   | 83  |     |    |  |  |  |
|                     |  |   |      |   | Portata in l/h. / Capacity in l/h. / Caudal en l/h. / Debit en l/h. / Förderleistung l/h.  |      |      |      |      |     |     |     |    |      |      |      |      |      |      |      |      |      |      |     |     |    |  |  |  |
| M 92                | P 1/20   | 0,55  | 0,75 | 9   | 1680   | 1360 | 1100 |      |      |     |     |     |    |      |      |      |      |      |      |      |      |      |      |     |     |    |  |  |  |
|                     |  |   |      | 12  |  | 1200 | 1020 | 700  |      |     |     |     |    |      |      |      |      |      |      |      |      |      |      |     |     |    |  |  |  |
|                     |  |   |      | 15  |  |      | 960  | 500  | 270  |     |     |     |    |      |      |      |      |      |      |      |      |      |      |     |     |    |  |  |  |
| M 102               | P 1/20   | 0,75  | 1    | 9   |  |      | 1710 | 1440 | 970  |     |     |     |    |      |      |      |      |      |      |      |      |      |      |     |     |    |  |  |  |
|                     |  |   |      | 12  |  |      |      | 1400 | 1020 | 950 | 480 |     |    |      |      |      |      |      |      |      |      |      |      |     |     |    |  |  |  |
|                     |  |   |      | 15  |  |      |      |      | 990  | 930 | 500 | 135 |    |      |      |      |      |      |      |      |      |      |      |     |     |    |  |  |  |
|                     |  |   |      | 18  |  |      |      |      |      |     | 460 | 135 |    |      |      |      |      |      |      |      |      |      |      |     |     |    |  |  |  |
|                     |  |   |      | 21  |  |      |      |      |      |     |     | 135 |    |      |      |      |      |      |      |      |      |      |      |     |     |    |  |  |  |
| M 202               | P 1/20   | 1,5   | 2    | 9   |  |      |      |      |      |     |     |     |    | 3000 | 3000 | 3000 | 2640 | 2280 | 1980 | 1620 |      |      |      |     |     |    |  |  |  |
|                     |  |   |      | 12  |  |      |      |      |      |     |     |     |    |      |      | 3000 | 3000 | 2640 | 2280 | 1980 | 1620 | 1080 |      |     |     |    |  |  |  |
|                     |  |   |      | 15  |  |      |      |      |      |     |     |     |    |      |      |      | 3000 | 2640 | 2280 | 1980 | 1620 | 1080 | 950  |     |     |    |  |  |  |
|                     |  |   |      | 18  |  |      |      |      |      |     |     |     |    |      |      |      |      | 2640 | 2280 | 1980 | 1620 | 1080 | 950  | 690 |     |    |  |  |  |
|                     |  |   |      | 21  |  |      |      |      |      |     |     |     |    |      |      |      |      |      | 2280 | 1980 | 1620 | 1080 | 950  | 690 | 370 |    |  |  |  |
|                     |  |   |      | 24  |  |      |      |      |      |     |     |     |    |      |      |      |      |      |      | 1980 | 1620 | 1080 | 950  | 690 | 370 | 96 |  |  |  |
|                     |  |   |      | 27  |  |      |      |      |      |     |     |     |    |      |      |      |      |      |      |      | 1620 | 1080 | 950  | 690 | 370 | 96 |  |  |  |
|                     |  |   |      | 30  |  |      |      |      |      |     |     |     |    |      |      |      |      |      |      |      |      | 1080 | 950  | 690 | 370 | 96 |  |  |  |
|                     |  |   |      | 33  |  |      |      |      |      |     |     |     |    |      |      |      |      |      |      |      |      |      | 1080 | 690 | 370 | 96 |  |  |  |

### SCHEMA DI INSTALLAZIONE

INSTALLATION SCHEME / ESQUEMA DE INSTALACION

SCHEMA D'INSTALLATION / INSTALLATIONSPLAN



### DIMENSIONI E PESI

DIMENSIONS AND WEIGHTS / DIMENSIONES Y PESOS / DIMENSIONS ET POIDS / ABMESSUNGEN UND GEWICHTE

| TIPO<br>TYPE<br>TYP | DNA      | DNM  | f   | a  | m1 | n1  | n2  | H   | h1  | h2  | h3  | w   | Ø d | Kg   |
|---------------------|----------|------|-----|----|----|-----|-----|-----|-----|-----|-----|-----|-----|------|
| M 92                | G 1" 1/4 | G 1" | 277 | 83 | -  | 180 | 140 | 207 | 98  | 93  | 105 | 179 | 9   | 17,2 |
| M 102               | G 1" 1/4 | G 1" | 277 | 83 | -  | 180 | 140 | 207 | 98  | 93  | 105 | 179 | 9   | 18,4 |
| M 202               | G 1" 1/4 | G 1" | 341 | 75 | 34 | 220 | 180 | -   | 114 | 121 | 121 | -   | 11  | 31,9 |